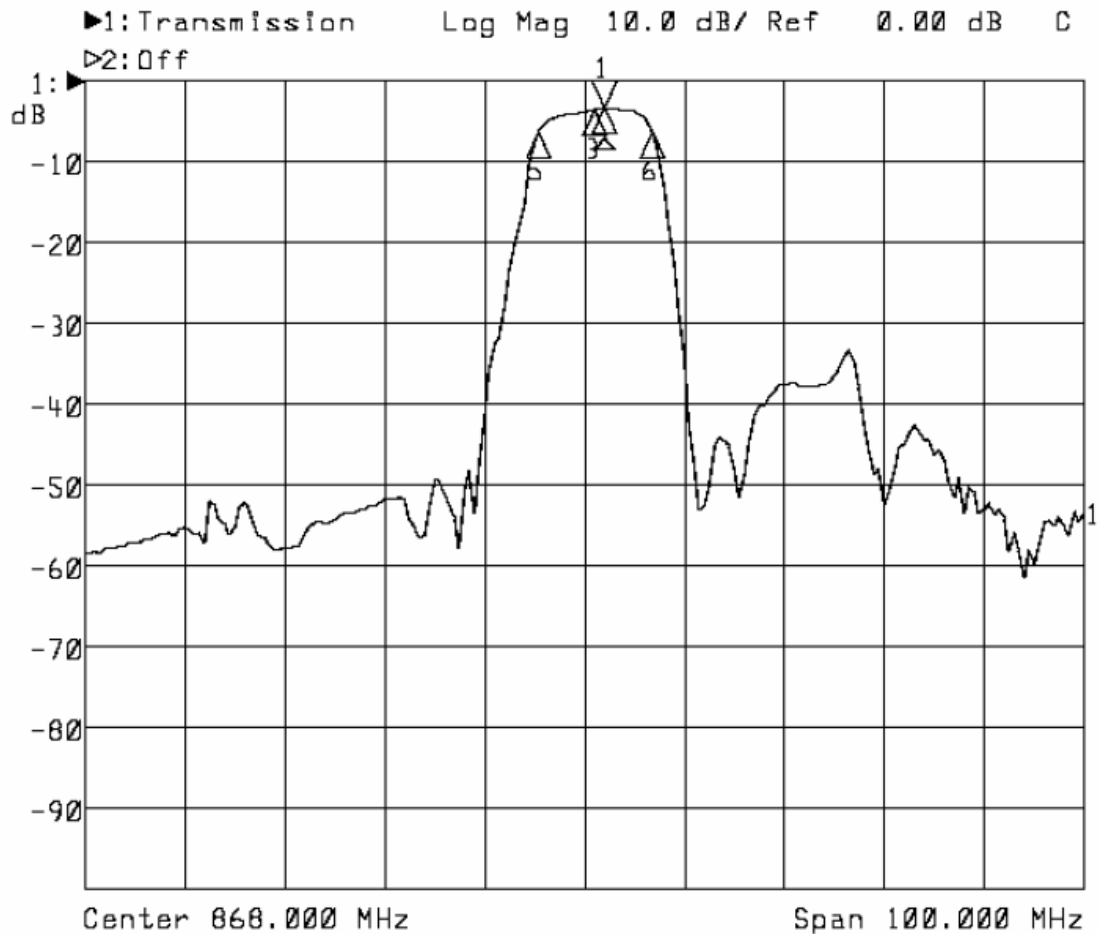




DESCRIPTION

- 868 MHz SAW bandpass filter with a 12 MHz typical 3dB bandwidth; RF filter in low power wireless audio applications.
- 3.8 x 3.8 mm ceramic LCC package.
- RoHS compliant.

TYPICAL PERFORMANCE



SPECIFICATION

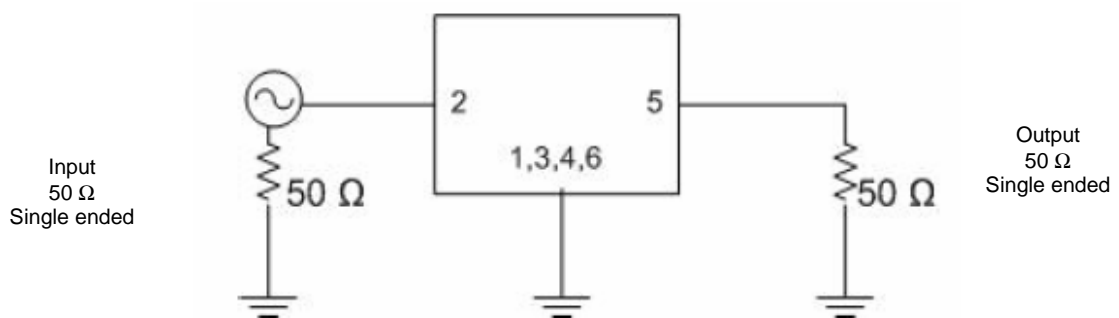
Parameter	Min	Typ	Max	Units
Center Frequency, F_C	-	868	-	MHz
Insertion Loss ¹	-	3.8	4.5	dB
Amplitude Ripple ¹	-	1.0	1.5	dB p-p
Stopband Rejection (824 to 828 MHz)	45	50	-	dB
Stopband Rejection (845 to 848 MHz)	35	40	-	dB
Stopband Rejection (888 to 891 MHz)	35	40	-	dB
Stopband Rejection (908 to 912 MHz)	45	50	-	dB
Terminating Impedance	50			ohms
Ambient Temperature	-	25	-	°C

Notes: 1. Within the passband: 866 to 870 MHz.

MAXIMUM RATINGS

Parameter	Min	Max	Units
Storage Temperature Range	-40	85	°C
Operating temperature Range	-30	80	°C
Input Power Level	-	0	dBm
DC Voltage between each terminal	-	10	V

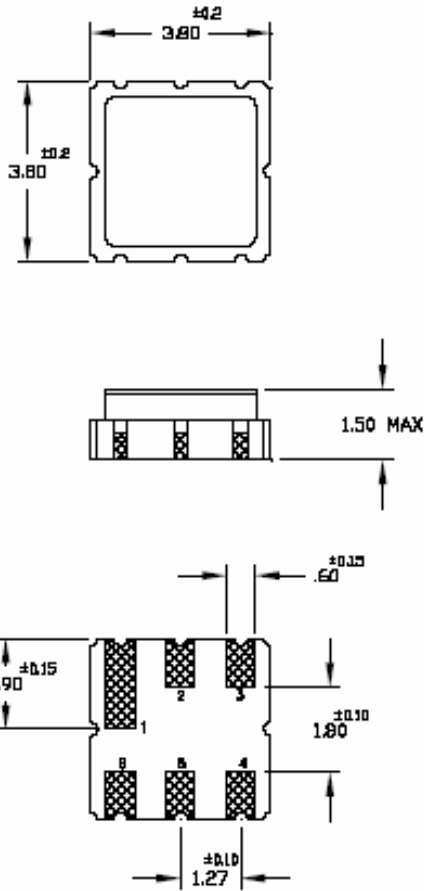
MATCHING CIRCUIT



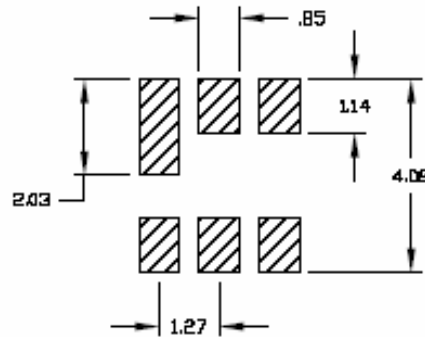
Notes:

- External matching components are no required..

PACKAGE OUTLINE



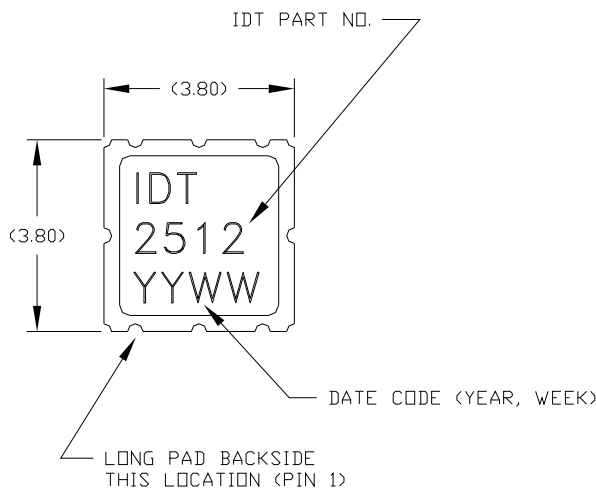
SUGGESTED FOOTPRINT



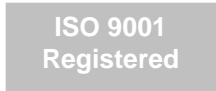
PIN NO.	DESCRIPTION
2	INPUT
5	OUTPUT
1, 3, 4, 6	GROUND

NOTES:
 DIMENSIONS IN MM

PACKAGE MARKING



Package Material:
 Body: Al_2O_3 ceramic
 Lid: Kovar, Ni plated
 Terminations: Au plating $1 \mu m$ min,
 over a $1.3-8.9 \mu m$ Ni plating



All specifications are believed to be accurate and reliable. However, MNC reserves the right to make changes without notice.
 © 2007 All rights reserved.